

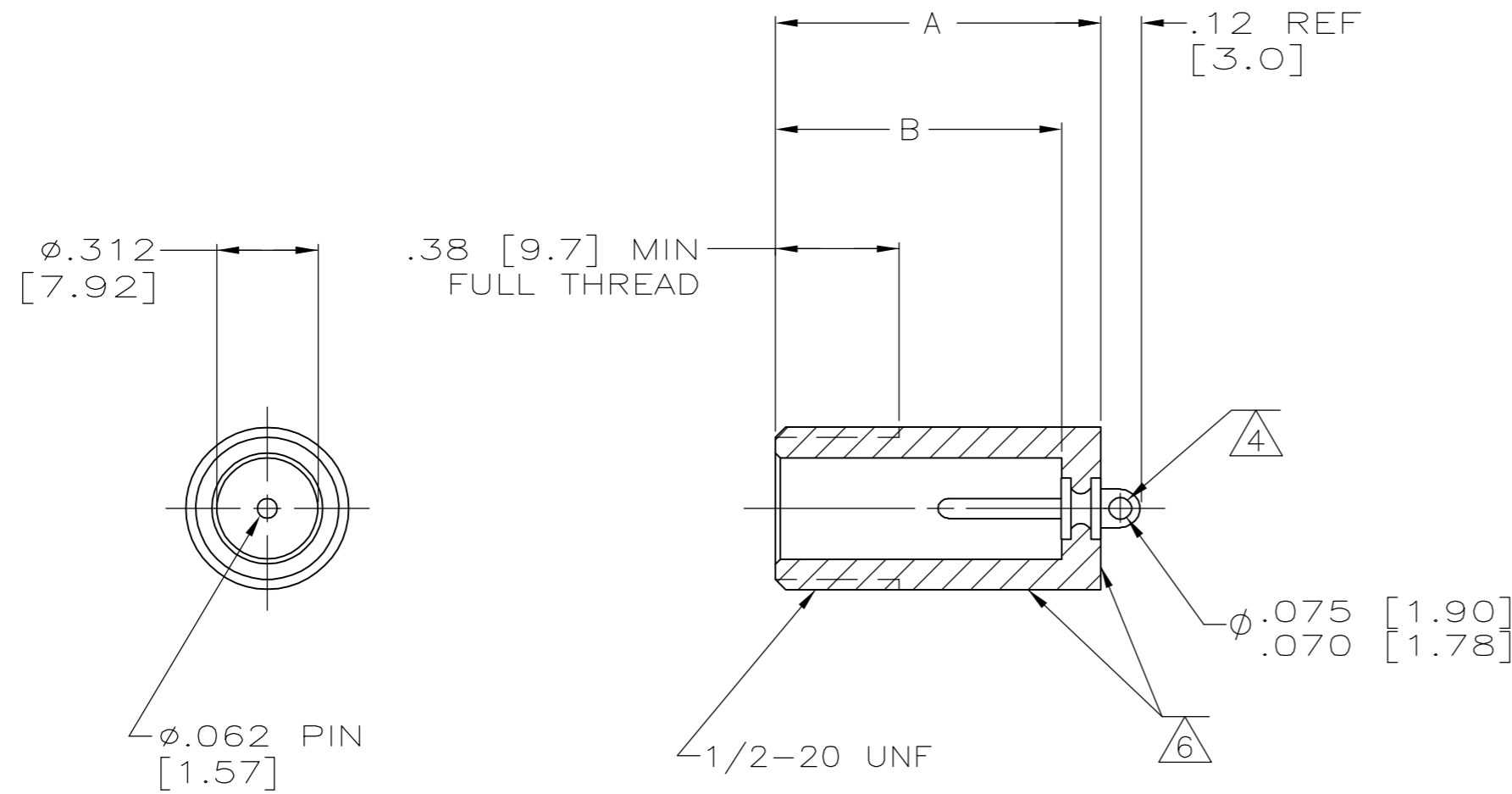
THIS DRAWING IS UNPUBLISHED. RELEASED FOR PUBLICATION - .N/A .
 © COPYRIGHT N/A BY TYCO ELECTRONICS CORPORATION. ALL RIGHTS RESERVED.

LOC	DIST	REVISIONS					
DF	S0	P	LTR	DESCRIPTION	DATE	DWN	APVD
		AB		REV PER OH14-0191-05	05-05	AA	DE

1. RECEPTACLE TO MATE WITH AMP LGH-1 LEAD ASSY.
2. MARKED PER MIL-STD-130.

~~3. MARKED PER MIL-STD-130 INCLUDING CUST P/N 15020-002.~~

- 4. PIN EYELET IS SOLDER DIPPED ON 1--7 ONLY.
- 5. SPECIAL TESTING/INSPECTION:
100% VISUAL WORKMANSHIP/APPEARANCE
100% DWV 30,000VDC @ S.L./AMBIENT CONDITIONS
- 6. .500 [12.70] DIA. AND REAR SURFACE SAND
BLASTED TO PROMOTE ADHESION TO POTTING MATERIAL.



REMARKS	PIN PLATING	DIM B	DIM A	PART NO.
5	TIN	.88 [22.4]	1.00 [25.4]	6-834333-8
-	TIN	.75 [19.0]	.88 [22.4]	5-834333-3
-	TIN	.88 [22.4]	1.00 [25.4]	5-834333-2
-	TIN	1.00 [25.4]	1.12 [28.4]	5-834333-1
-	TIN	1.12 [28.4]	1.25 [31.7]	5-834333-0
5	TIN-LEAD	.88 [22.4]	1.00 [25.4]	1-834333-8
4/6	TIN-LEAD	.88 [22.4]	1.00 [25.4]	1-834333-7
OBSOLETE	TIN-LEAD	.88 [22.4]	1.00 [25.4]	1-834333-6
OBSOLETE	GOLD	.75 [19.0]	.88 [22.4]	834333-7
OBSOLETE	GOLD	.88 [22.4]	1.00 [25.4]	834333-6
OBSOLETE	GOLD	1.00 [25.4]	1.12 [28.4]	834333-5
OBSOLETE	GOLD	1.12 [28.4]	1.25 [31.7]	834333-4
-	TIN-LEAD	.75 [19.0]	.88 [22.4]	834333-3
-	TIN-LEAD	.88 [22.4]	1.00 [25.4]	834333-2
-	TIN-LEAD	1.00 [25.4]	1.12 [28.4]	834333-1
-	TIN-LEAD	1.12 [28.4]	1.25 [31.7]	834333

THIS DRAWING IS A CONTROLLED DOCUMENT.

DWN C.C.THOMAS 23-MAR-94	 Tyco Electronics Corporation Harrisburg, Pa 17105-3608	SIZE	CAGE CODE	DRAWING NO	RESTRICTED TO
CHK C.SHELLY 11-APR-94		A2	00779	C=834333	-
APVD C.SHELLY 11-APR-94		SCALE	SHEET	OF	REV
PRODUCT SPEC		2:1	1	1	AB
APPLICATION SPEC	CUSTOMER DRAWING				

MATERIAL: EPOXY MLDG CMPD, COLOR: BLACK

TOLERANCES UNLESS OTHERWISE SPECIFIED:
 0 PLC ± -
 1 PLC ± -
 2 PLC ± .02[0.5]
 3 PLC ± .005[0.13]
 4 PLC ± -
 ANGLES ± -
 FINISH -